

Shimafuji Electric Incorporated

R-IN32M4-CL3 Evaluation Board

SBEV-RIN32M4CL3



This board is a software development platform equipped with a CC-Link IE TSN / CC-Link IE Field compatible R-IN32M4-CL3(Renesas).

It has industrial network (CC-Link IE TSN / CC-Link IE Field), RS-485, CSI, and I2C.

Product URL: <http://www.shimafuji.co.jp/en/products/1869>

Sample software can be downloaded from the Renesas Electronics website.

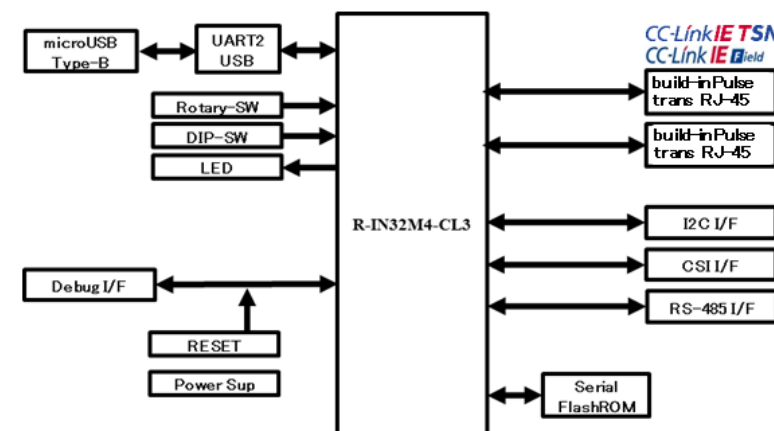
For customers who want to start development immediately, IAR's starter kit is recommended.

Product URL: <https://www.iar.com/jp/products/architectures/renesas/solutions-for-renesas-r-in32m4/>

◆ Specifications

CPU	R-IN32M4-CL3	R9A06G064SGBG
	Cortex-M4	150MHz
	Built-in RAM	1.3MB
	GbE PHY	2port(Build-in)
Memory	SPI Flash Memory	8MB
External I/O	RJ45(Support GbE)	x2
	RS-485 Pin Header	x1
	I2C Pin Header	x1
	CSI Pin Header	x1
Power	DC5.0V (DC Jack/microUSB Type-B Connector)	
Size	85mm x 52mm	

◆ Block Diagram



SHIMAFUJI Electric Inc.
 6-36-11, Nishikamata, Ota-ku, Tokyo, 144-0051, Japan
 URL : <http://www.shimafuji.co.jp>
 E-mail : info@shimafuji.co.jp TEL : 03-3733-8308